



SIT 'N' STAND RECTANGULAR DESK

TECHNICAL SPECIFICATIONS

Specifications

Height Range	655 to 1315mm including 25mm worktop
Travel Speed	30mm/second
Glide Adjustment	Gives an additional 10mm of adjustment
Worktop Lengths	1500, 1800 or 2000mm
Worktop Depth	600mm to 900mm
Weight Capacity	70.0kg evenly distributed load (including worktop)
Handset	Provides up and down movement control
Speed Control	Electronic control for smooth and fast acceleration

Materials and Finishes

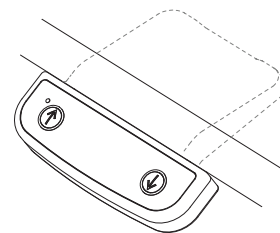
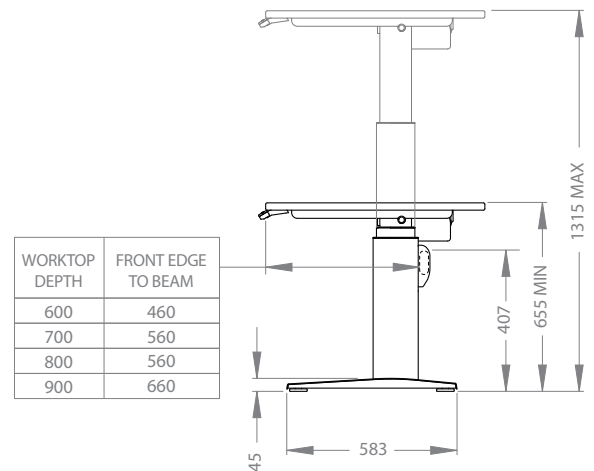
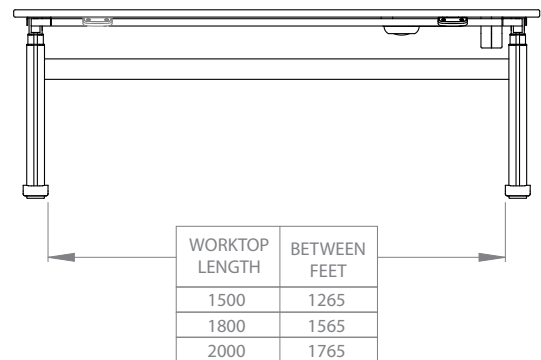
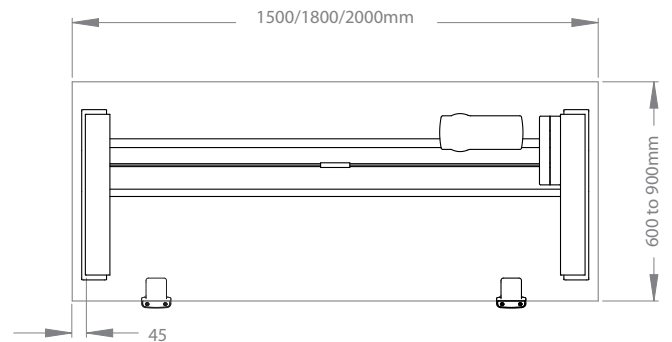
Feet	Pearl White Powder Coated Steel
Lower Leg	Pearl White Powder Coated Aluminium
Upper Leg Sections	Matte Anodised Aluminium
Beam and Rail	Pearl White Powder Coated Steel
Drive Rod	Zinc Plated Steel

Testing

Rectangle Frame	Each frame sold is cycle tested without failure 150 times prior to shipment
------------------------	--

Warranty

Electrical Components	12 Months
Metal Frame Structure	24 Months



Handset Control