

smart DESK
2009/2010



© AMS Furniture Systems. September 2009. All rights reserved.

Whilst every effort has been made to ensure the information in this brochure is accurate at time of printing, AMS reserves the right to change any or all product details without prior notice. No part of this publication may be reproduced without permission.

Contents

Smart Desk Two Person Straight 4



Smart Desk Two Person Cluster 6



Smart Desk Three Person Cluster 8



Smart Options 10



Functional & modern— Fast

Whether you need functional, everyday furniture, or modern inspirational furniture, our carefully selected **Smart Desk** range will provide your ultimate solution. The **Smart Desk** range is available for fast **quick-ship** delivery Australia wide.

Specially for you

Smart Desk systems furniture is **designed for Australian conditions** and supports all aspects of your business - desks for executives and workstations for open offices, storage for files and storage for stationery, tables for cafeterias and tables for meetings.

Built to last

Work surfaces are subject to a high degree of wear in offices, so all **Smart Desk** furniture is constructed from melamine faced furniture grade particleboard. Melamine is one of the **most durable** conventional furniture surfaces available.

Durability of the edging rates next in importance to the surface material. Our experience leads us to use Solid ABS hard-edge which is **permanently bonded** to all exposed edges. Hard-edging is **impact resistant** and provides an almost seamless wood grain appearance.

Load bearing panels on desks and workstations, such as tops and sides, are constructed from Heavy Duty 25mm substrate. All fabric on screens is foam-backed, bonded to substrate.

Good Wood

AMS Group is a responsible corporate citizen that is concerned about caring for the environment in which we live and work. To meet increasing demand for even more environmentally friendly building products, we also have an ultra-low emission EO board available on request. EO board is recognised by ECO Specifier and is suitable for use in all Green Star Rated buildings to enhance the overall environmental performance ratings.

95% of the timber substrate used in our furniture is obtained from sustainable forests, 70% from FSC certified forest plantations and includes 75% pre-consumer recycled content & 10% post-consumer recycled content. Our melamine panels have a high **'E1' Grade** rating and, of course, conform to the Australian LFE Emission Standard. Panels meet World Health Organisation (WHO) requirements as a non-toxic material and are recyclable – in short **eco-friendly!**

You know you are **buying responsibly** when you see the Good Wood mark.

Peace of mind – Guaranteed

All **Smart Desk** furniture is guaranteed against faulty parts and workmanship for 5 years of normal use (8 hours/day). As common sense dictates, we make it a condition that you use your furniture for the purpose it was designed for.

Two Person Straight



S2PS18

- Smart Two Person Straight Workstation
- 1800 x 750 x 720H
 - 25mm top
 - Adjustable Feet
 - Includes 1 x 1650 Cable Basket per workstation

SWB

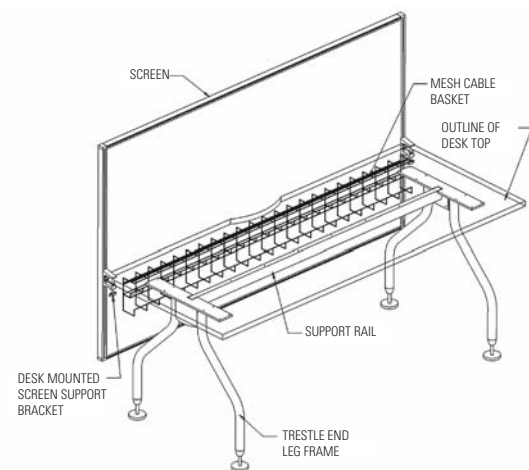
- Smart Whiteboard
- Hook-on whiteboard
 - Range of sizes

SPH

- Smart Pen Holder
- Hook-on pen holder
 - Silver powdercoat finish

4

5



SWB



SPH

The Smart Desk workstation program is cost-effective, easy-to-install and provides a state of the art end solution for your office planning needs.

Two Person Straight Cluster shown in white finish with black screens. Robust leg system has height adjustable feet for easy levelling.

FIVE
YEAR
GUARANTEE

smart
DESK

STRAIGHT DESK ASSEMBLY

Two Person Cluster

SL2PS18

Smart Two Person Cluster Workstation

- 1800 x 1800 x 720H
- 25mm top
- Adjustable Feet



6

7



SDMSB

- SDMSB**
Smart Desk Mounted Screen Bracket
- Attaches screen to desk
 - Silver powdercoat finish



SDMS9

- SDMS9**
Smart Desk Mounted Shelf
- 25mm shelf 900W x 300D
 - 4 x chrome dividers
 - Silver supports



UM2+1

- UM2+1**
2+1 Ultimet Mobile
- 2 drawers, 1 file
 - Gang-locking
 - Pen tray drawer
 - Heavy duty runners
 - Silver powdercoat finish

Smart Desk with tubular powdercoated legs offers a clean, simple alternative. Light coloured work surfaces combine well with power colours to produce an energetic, motivated working environment.

Two Person Corner Cluster shown in white finish, with charcoal & grey screens.

**FIVE
YEAR
GUARANTEE**

smart
DESK

Three Person Cluster



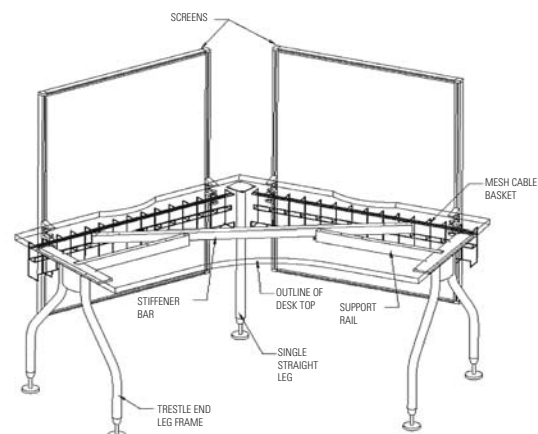
- S3PW135**
Smart Three Person 120° Workstation
- 1350 x 1350 x 750 x 720H
 - 25mm top
 - Adjustable Feet

- SAR**
Smart Accessory Rail
- Silver powdercoat finish
 - Easily fits to Smart Screen
 - Range of lengths available

- SBH**
Smart Binder Holder
- Hook-on binder holder
 - Silver powdercoat finish

8

9



With Smart Desk, the options are endless. Customise your workspace to reflect your individual tastes.

Three Person Cluster shown in white finish, with upholstered screens.

**FIVE
YEAR
GUARANTEE**

smart
DESK

120° DESK ASSEMBLY

Options



- SDMS9**
Smart Desk Mounted Shelf
- 25mm shelf 900W x 300D
 - 4 x chrome dividers
 - Silver supports



- SSFF**
Smart Freestanding Feet
- Attach to Smart Screen
 - Silver powdercoat finish



- SAP**
Smart Accessory Panel
- Hook-on panel 600W
 - Silver powdercoat finish



- DMMA**
Desk Mounted Monitor Arm
- Silver finish
 - 15kg rating
 - Bolt through version optional



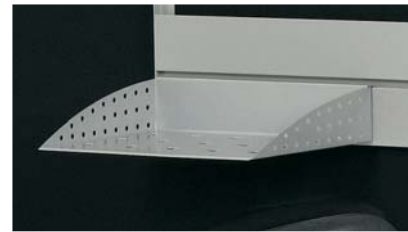
- CBB DPR**
Smart Below Desk Power/Data Rail
- Quad GPO soft-wired
 - 4 x RJ45 data bezels
 - Silver finish



- SDMPD**
Smart Desk Mounted Power Point
- Double Power, Double Data
 - Soft-wired
 - Clamps to workstation



- SWB**
Smart Whiteboard
- Hook-on whiteboard
 - Range of sizes



- SPT**
Smart Paper Tray
- Hook-on portrait paper tray
 - Silver powdercoat finish



- SCH**
Smart Card Holder
- Hook-on card holder
 - Silver powdercoat finish



- VF TTL**
Velocity Flip-Top Table - Large
- 2000W x 800D
 - 25mm top
 - Silver frame
 - Lockable castors

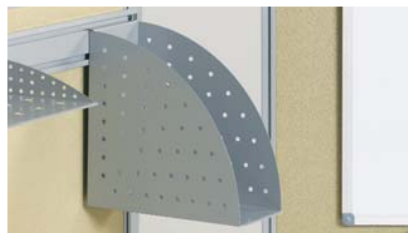


- VF TTS**
Velocity Flip-Top Table - Small
- 1600W x 800D
 - 25mm top
 - Silver frame
 - Lockable castors

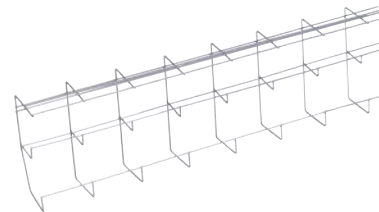


- MPFM**
Metal Modesty Panel
- Robust perforated panel
 - Silver powdercoat
 - Easily fits under worktop
 - 1200, 1500, 1800W

10



- SBH**
Smart Binder Holder
- Hook-on binder holder
 - Silver powdercoat finish



- SCB**
Smart Cable Basket
- Two-tiered
 - Silver powdercoat finish
 - 1050W, 1350W or 1650W available



- SDMSB**
Smart Desk Mounted Screen Bracket
- Attaches screen to desk
 - Silver powdercoat finish



- UM2+1**
2+1 Ultimet Mobile
- 2 drawers, 1 file
 - Gang-locking
 - Pen tray drawer
 - Heavy duty runners
 - Silver powdercoat finish



- UPS V**
Ultimet Personal Storage Unit
- 1200H x 460W x 750D
 - Whiteboard to front
 - 2+1 drawers, lockable
 - Tambour unit to slide (LH or R)
 - (Made to order on a project basis)



- SAR**
Smart Accessory Rail
- Silver powdercoat finish
 - Easily fits to Smart Screen
 - Range of lengths available



- SPH**
Smart Pen Holder
- Hook-on pen holder
 - Silver powdercoat finish



- SNH**
Smart Name Holder
- Hook-on name holder
 - Silver powdercoat finish
 - Perspex Front

11

The Smart Desk range offers a host of options, allowing you to customise your office design to suit your own needs.

Choose Smart Desk, and prove the benefits for yourself....

smart
DESK

FIVE
YEAR
GUARANTEE