

120° Cluster Cubit 50 Workstation

AMS Furniture Systems
 Lot 162 Railway Crescent
 Lismore
 NSW 2560

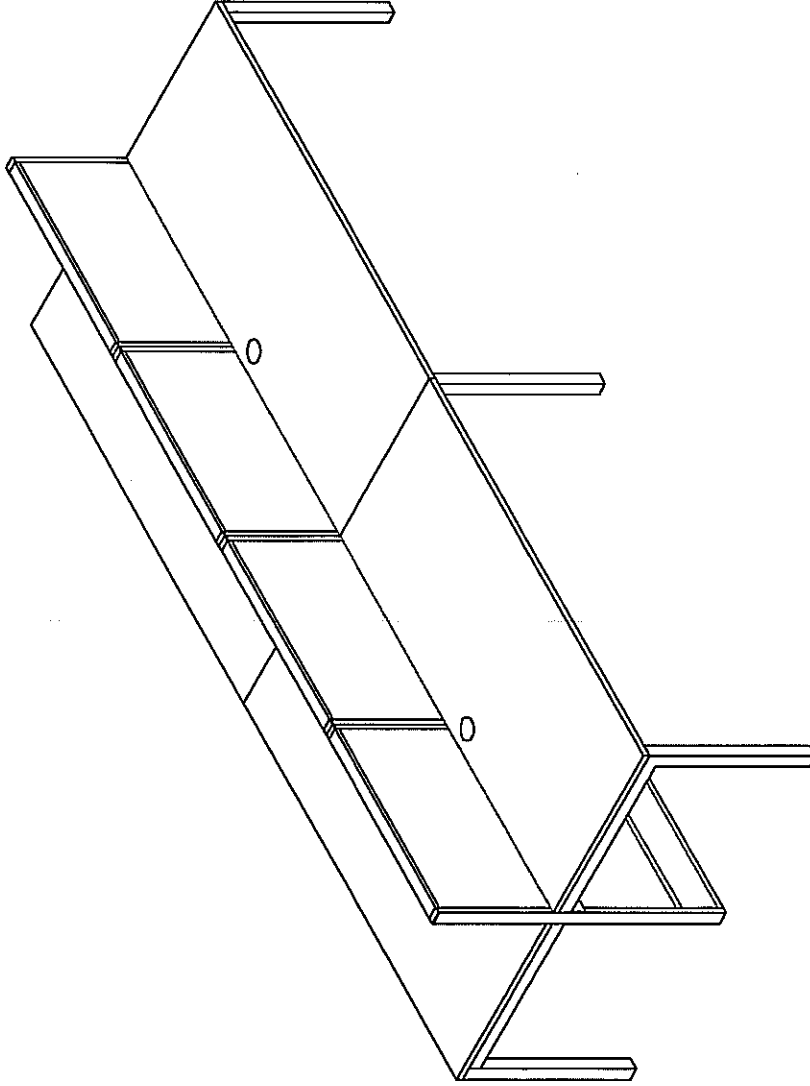
Telephone (02) 4329 7359
 Fax (02) 4329 7678
 ABN: 80 586 731 216

(C) COPYRIGHT THIS DOCUMENT IS OWNED BY AMS AND THE INFORMATION CONTAINED IN IT IS PROPRIETARY TO AMS FURNITURE SYSTEMS. BY RECEIPT HEREOF THE HOLDER AGREES NOT TO USE THE INFORMATION, DISCLOSE IT TO ANY THIRD PARTY, NOR REPRODUCE THIS DOCUMENT WITHOUT THE PRIOR WRITTEN CONSENT OF AMS FURNITURE AND AGREES TO RETURN THIS DOCUMENT FORTHWITH UPON REQUEST.

DATE	18/06/10	DRAWING	ISSUE
SCALE	1:20	15122	A
DRWN	MGH		



4 Cluster Cubit 50 Workstation



AMS Furniture Systems
 Ltd 182 Railway Crescent
 Lidgow
 NSW 2250

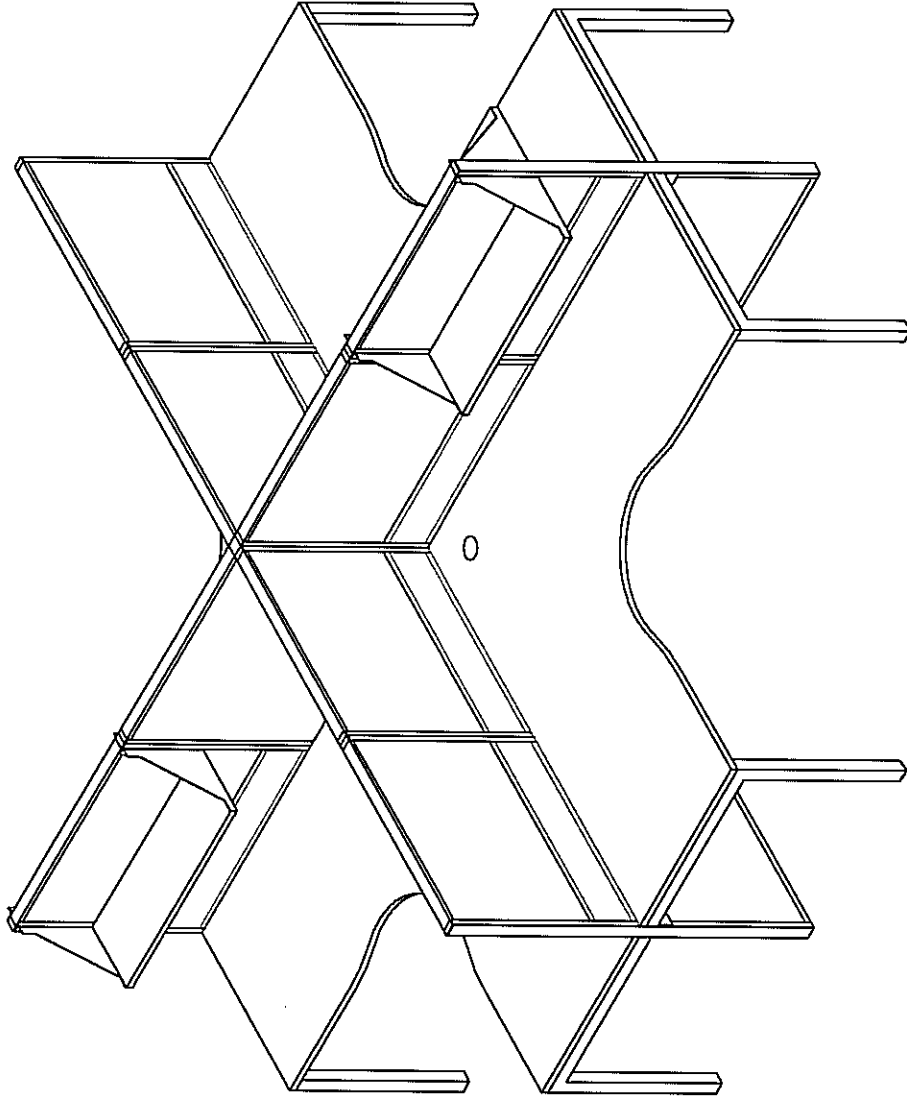
Telephones (02) 4328 7899
 Fax (02) 4328 7578
 ABN: 50 585 731 216

(C) COPYRIGHT: THIS DOCUMENT IS OWNED BY AND THE INFORMATION CONTAINED IN IT IS PROPRIETARY TO AMS FURNITURE SYSTEMS BY RECEIPT HEREOF THE HOLDER AGREES NOT TO USE THE INFORMATION, DISCLOSE IT TO ANY THIRD PARTY, NOR REPRODUCE THIS DOCUMENT WITHOUT THE PRIOR WRITTEN CONSENT OF AMS FURNITURE AND AGREE TO RETURN THIS DOCUMENT FORTHWITH UPON REQUEST.

DATE	18/06/10	DRAWING	ISSUE
SCALE	1:20	15122	A
DRAWN	MGH		



4 Cluster Cubit 50 Workstation



AMS Furniture Systems
 Lvl 162 Railway Crescent
 Lisarow
 NSW 2280

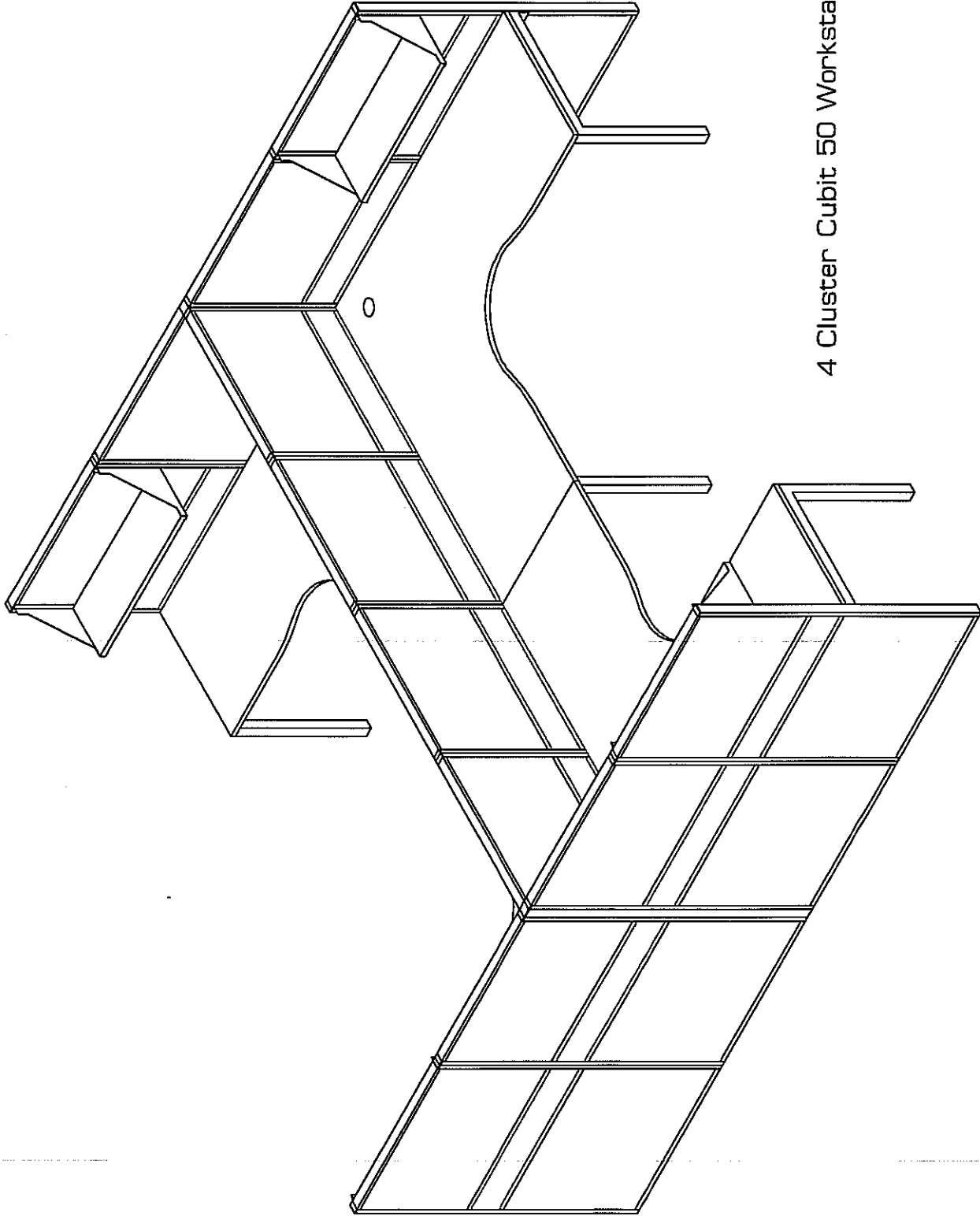
Telephone: (02) 4329 7999
 Fax: (02) 4329 7879
 ABN: 80 565 731 216

(C) COPYRIGHT: THIS DOCUMENT IS OWNED BY AMS FURNITURE SYSTEMS. THE INFORMATION CONTAINED HEREIN IS PROPRIETARY TO AMS FURNITURE SYSTEMS. BY RECEIPT HEREOF, THE HOLDER AGREES NOT TO USE THE INFORMATION, DISCLOSE IT TO ANY THIRD PARTY, NOR REPRODUCE THIS DOCUMENT WITHOUT THE PRIOR WRITTEN CONSENT OF AMS FURNITURE. AND AGREES TO RETURN THIS DOCUMENT FORTHWITH UPON REQUEST.

DATE	18/06/10	DRAWING	
SCALE	1:20		15122
DRWN	MGH		

SHEET	A4	ISSUE	A
-------	----	-------	---





4 Cluster Cubit 50 Workstation

(C) COPYRIGHT THIS DOCUMENT IS OWNED BY AMS AND THE INFORMATION CONTAINED HEREIN IS PROPRIETARY TO AMS FURNITURE SYSTEMS BY RECEIPT HEREOF THE HOLDER AGREES NOT TO USE THE INFORMATION, DISCLOSE IT TO ANY THIRD PARTY, NOR REPRODUCE THIS DOCUMENT WITHOUT THE PRIOR WRITTEN CONSENT OF AMS FURNITURE AND AGREES TO RETURN THE DOCUMENT UPON REQUEST.

Telephone (02) 4329 7999
 Fax (02) 4329 7979
 ABN: 60 585 731 216

AMS Furniture Systems
 Lot 162 Railway Crescent
 Lisleach
 NSW 2250



DATE	18/06/10	DRAWING	
SCALE	1:20		15122
DRWN	MCH		

SHEET	A4	ISSUE	A
-------	----	-------	---